

EDITION 13

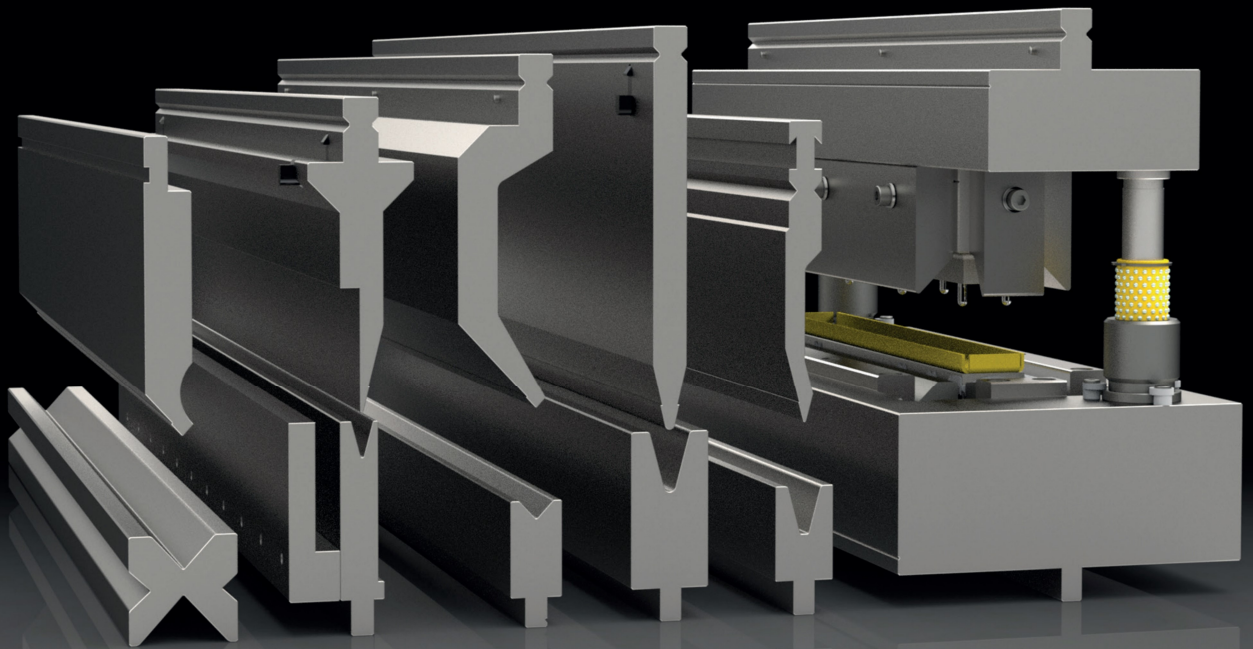
EDITION 13

WWW.LPTOOLING.CO.UK

LPT[®]
TOOLING

PRESS BRAKE TOOLS

PRESS BRAKE TOOLS



LPT LAWLOR PRESS BRAKE TOOLING LTD

WWW.LPTOOLING.CO.UK



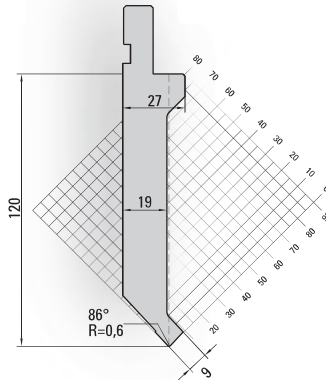
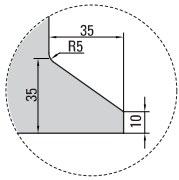
UKB-SYSTEM AMADA

86° Punches/top tools „Fixed Height“ H = 120 mm

12.022 **24h**
1000 kN/m

835 mm 17,3 kg
415 mm 8,6 kg
800 mm 16,0 kg
sectionalized

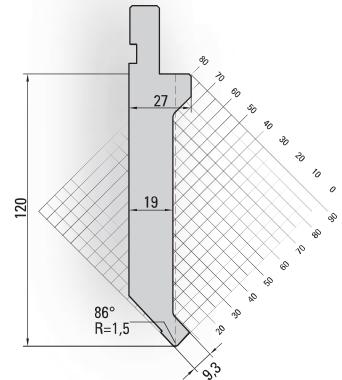
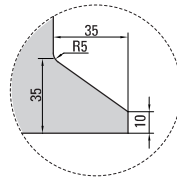
MORE INFORMATION WWW.LPTOOLING.CO.UK



12.023 **24h**
1000 kN/m

835 mm 17,3 kg
415 mm 8,6 kg
800 mm 16,0 kg
sectionalized

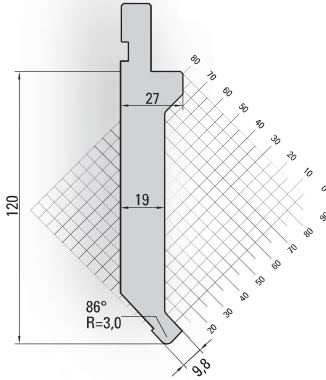
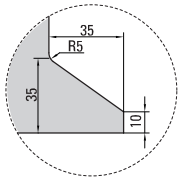
MORE INFORMATION WWW.LPTOOLING.CO.UK



12.024 **24h**
1000 kN/m

835 mm 17,3 kg
415 mm 8,6 kg
800 mm 16,1 kg
sectionalized

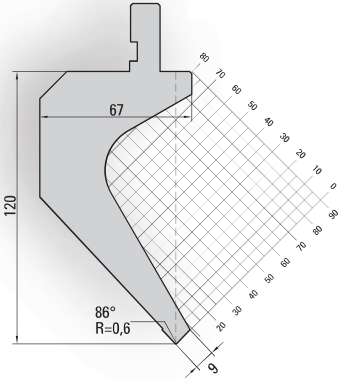
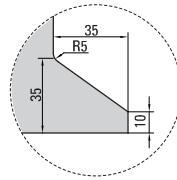
MORE INFORMATION WWW.LPTOOLING.CO.UK



12.027 **24h**
500 kN/m

835 mm 26,5 kg
415 mm 13,2 kg
800 mm 24,6 kg
sectionalized

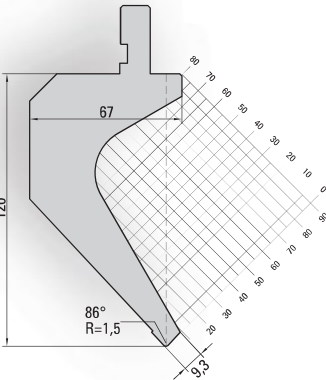
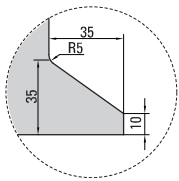
MORE INFORMATION WWW.LPTOOLING.CO.UK



12.028 **24h**
500 kN/m

835 mm 26,6 kg
415 mm 13,2 kg
800 mm 24,2 kg
sectionalized

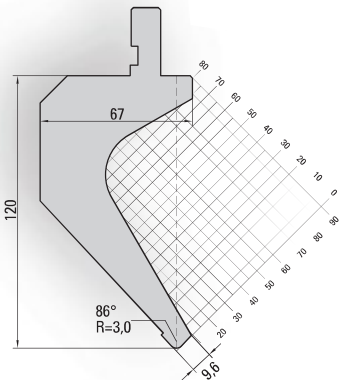
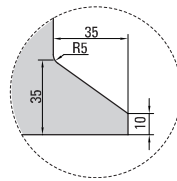
MORE INFORMATION WWW.LPTOOLING.CO.UK



12.029 **24h**
500 kN/m

835 mm 26,6 kg
415 mm 13,2 kg
800 mm 24,2 kg
sectionalized

MORE INFORMATION WWW.LPTOOLING.CO.UK

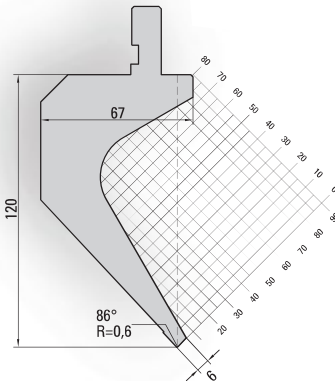
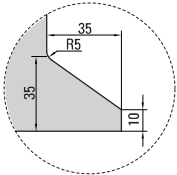


86° Punches/top tools „Fixed Height“ H = 120 mm

12.035 **24h**
450 kN/m

835 mm 24,8 kg
415 mm 12,3 kg
800 mm 23,0 kg
sectionalized

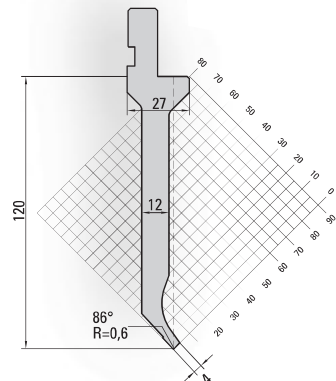
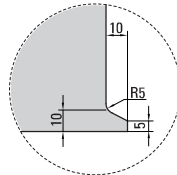
MORE INFORMATION WWW.LPTOOLING.CO.UK



12.037 **24h**
300 kN/m

835 mm 12,1 kg
415 mm 6,0 kg
800 mm 11,2 kg
sectionalized

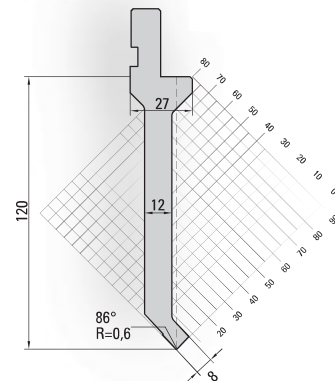
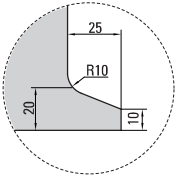
MORE INFORMATION WWW.LPTOOLING.CO.UK



12.032 **24h**
500 kN/m

835 mm 12,6 kg
415 mm 6,3 kg
800 mm 11,7 kg
sectionalized

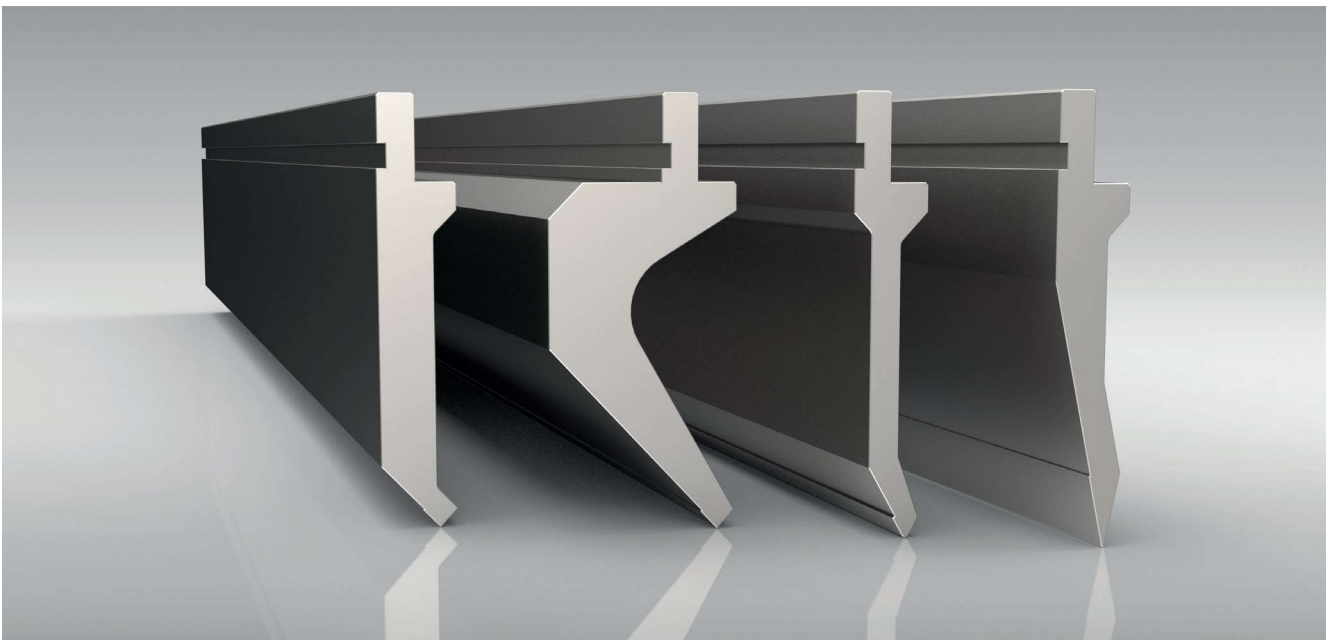
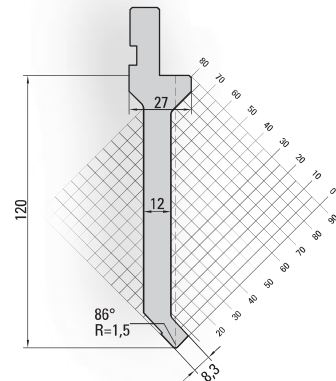
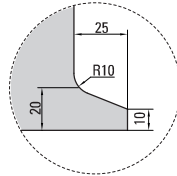
MORE INFORMATION WWW.LPTOOLING.CO.UK



12.033 **24h**
500 kN/m

835 mm 12,6 kg
415 mm 6,3 kg
800 mm 11,7 kg
sectionalized

MORE INFORMATION WWW.LPTOOLING.CO.UK



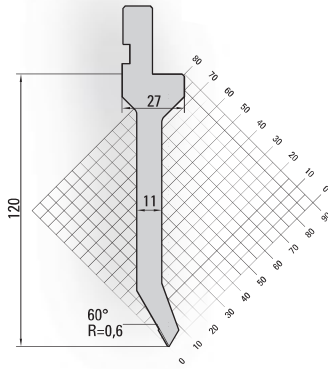
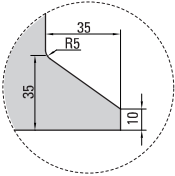
UKB-SYSTEM AMADA

60° Punches/top tools „Fixed Height“ H = 120 mm

12.039 **24h**
700 kN/m

835 mm 12,2 kg
415 mm 6,1 kg
800 mm 11,3 kg
sectionalized

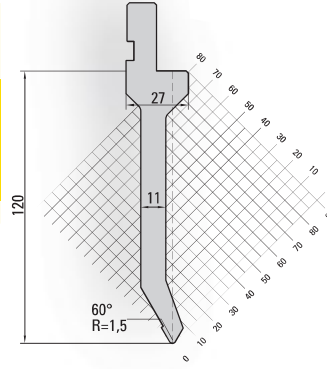
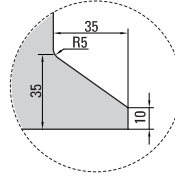
MORE INFORMATION WWW.LPTOOLING.CO.UK



12.040 **24h**
700 kN/m

835 mm 12,3 kg
415 mm 6,1 kg
800 mm 11,4 kg
sectionalized

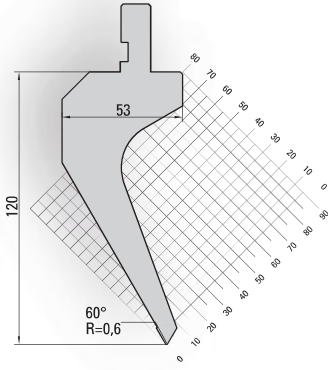
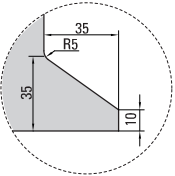
MORE INFORMATION WWW.LPTOOLING.CO.UK



12.041 **24h**
700 kN/m

835 mm 20,9 kg
415 mm 10,4 kg
800 mm 19,4 kg
sectionalized

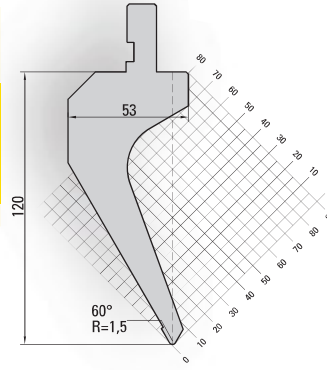
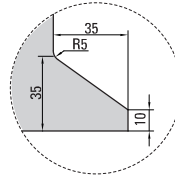
MORE INFORMATION WWW.LPTOOLING.CO.UK



12.042 **24h**
700 kN/m

835 mm 21,0 kg
415 mm 10,4 kg
800 mm 19,5 kg
sectionalized

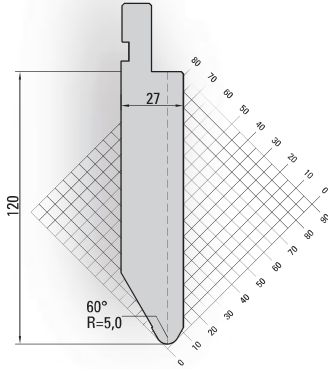
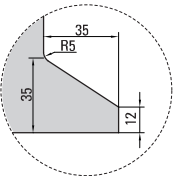
MORE INFORMATION WWW.LPTOOLING.CO.UK



12.049 **24h**
1000 kN/m

835 mm 22,0 kg
415 mm 10,9 kg
800 mm 20,4 kg
sectionalized

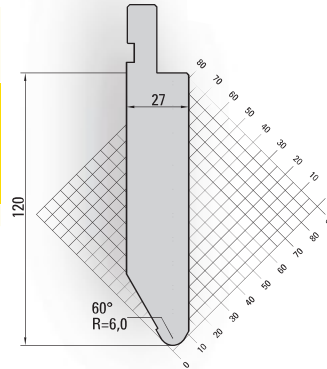
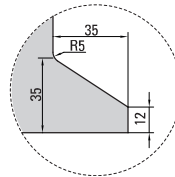
MORE INFORMATION WWW.LPTOOLING.CO.UK



12.050 **24h**
1000 kN/m

835 mm 22,0 kg
415 mm 10,9 kg
800 mm 20,4 kg
sectionalized

MORE INFORMATION WWW.LPTOOLING.CO.UK

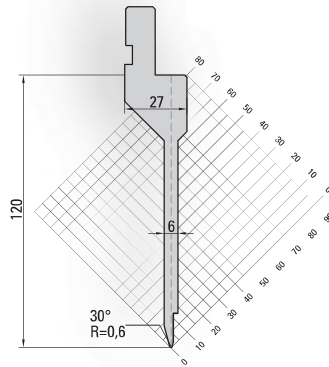
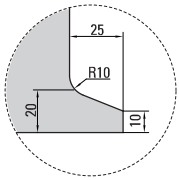


30° Punches/top tools „Fixed Height“ H = 120 mm

12.043 **24h**
450 kN/m

835 mm 9,8 kg
415 mm 4,9 kg
800 mm 9,1 kg
sectionalized

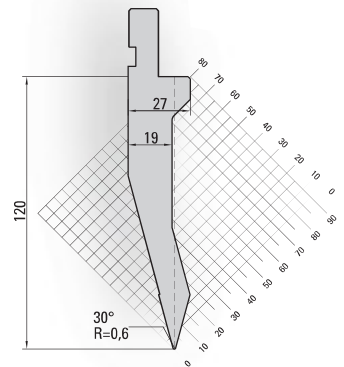
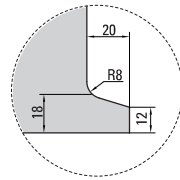
MORE INFORMATION WWW.LPTOOLING.CO.UK



12.045 **24h**
1000 kN/m

835 mm 14,8 kg
415 mm 7,4 kg
800 mm 13,8 kg
sectionalized

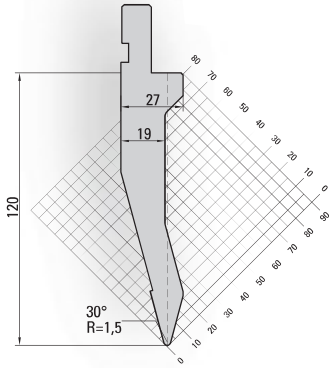
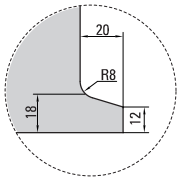
MORE INFORMATION WWW.LPTOOLING.CO.UK



12.046 **24h**
1000 kN/m

835 mm 15,0 kg
415 mm 7,5 kg
800 mm 14,0 kg
sectionalized

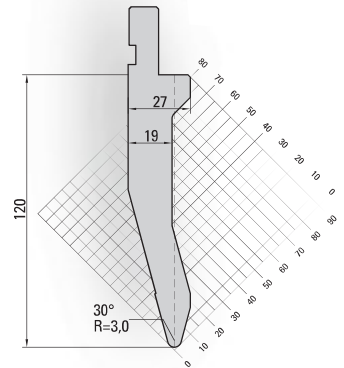
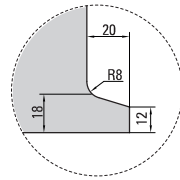
MORE INFORMATION WWW.LPTOOLING.CO.UK



12.047 **24h**
1000 kN/m

835 mm 16,0 kg
415 mm 7,9 kg
800 mm 14,8 kg
sectionalized

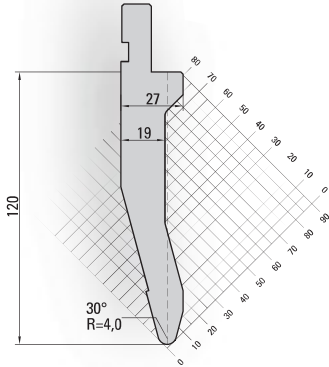
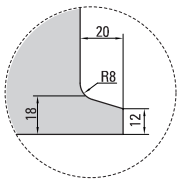
MORE INFORMATION WWW.LPTOOLING.CO.UK



12.048 **24h**
1000 kN/m

835 mm 16,1 kg
415 mm 8,0 kg
800 mm 15,0 kg
sectionalized

MORE INFORMATION WWW.LPTOOLING.CO.UK



UKB-ACCESSORIES

see chapter 17



Die holder for central 1-V dies

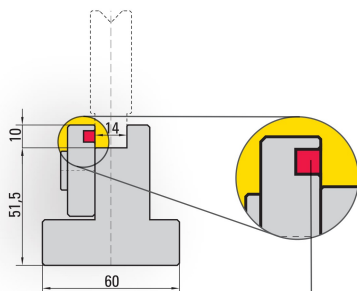
22.010 **24h**
1000 kN/m

835 mm 16,4 kg

415 mm 8,1 kg

MORE INFORMATION WWW.LPTOOLING.CO.UK

Die holder incl. clamp with nylon-strip



ADVANTAGE:
Improved clamping via nylon strip



86° Central 1-V dies

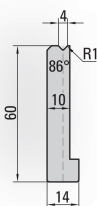
22.904 **24h**
750 kN/m

835 mm 4,1 kg

415 mm 2,1 kg

800 mm 4,0 kg
sectionalized

MORE INFORMATION WWW.LPTOOLING.CO.UK



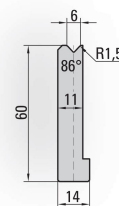
22.906 **24h**
800 kN/m

835 mm 4,4 kg

415 mm 2,2 kg

800 mm 4,3 kg
sectionalized

MORE INFORMATION WWW.LPTOOLING.CO.UK



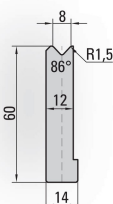
22.908 **24h**
900 kN/m

835 mm 4,7 kg

415 mm 2,3 kg

800 mm 4,5 kg
sectionalized

MORE INFORMATION WWW.LPTOOLING.CO.UK



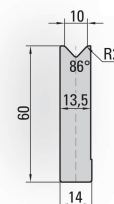
22.910 **24h**
1000 kN/m

835 mm 5,2 kg

415 mm 2,6 kg

800 mm 4,9 kg
sectionalized

MORE INFORMATION WWW.LPTOOLING.CO.UK



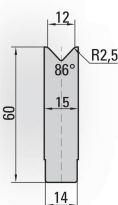
22.912 **24h**
1000 kN/m

835 mm 5,6 kg

415 mm 2,8 kg

800 mm 5,3 kg
sectionalized

MORE INFORMATION WWW.LPTOOLING.CO.UK



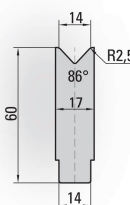
22.914 **24h**
1000 kN/m

835 mm 6,1 kg

415 mm 3,0 kg

800 mm 5,9 kg
sectionalized

MORE INFORMATION WWW.LPTOOLING.CO.UK



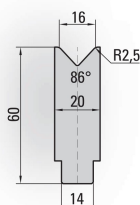
22.916 **24h**
1000 kN/m

835 mm 7,0 kg

415 mm 3,5 kg

800 mm 6,7 kg
sectionalized

MORE INFORMATION WWW.LPTOOLING.CO.UK



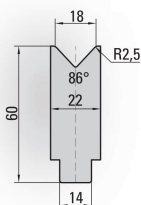
22.918 **24h**
1000 kN/m

835 mm 7,6 kg

415 mm 3,8 kg

800 mm 7,2 kg
sectionalized

MORE INFORMATION WWW.LPTOOLING.CO.UK



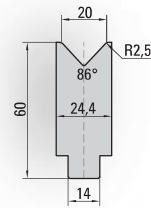
UKB-SYSTEM AMADA

86° Centrical 1-V dies

22.920 **24h**
1000 kN/m

835 mm	8,2 kg
415 mm	4,1 kg
800 mm <small>sectionalized</small>	7,9 kg

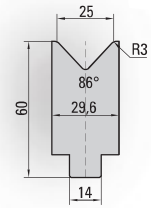
MORE INFORMATION WWW.LPTOOLING.CO.UK



22.925 **24h**
1000 kN/m

835 mm	9,5 kg
415 mm	4,7 kg
800 mm <small>sectionalized</small>	9,1 kg

MORE INFORMATION WWW.LPTOOLING.CO.UK



60° Centrical 1-V dies

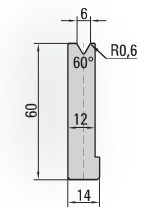
UKB-MODIFICATION OF PRESS BRAKE TOOLS

see chapter 18

22.606 **24h**
380 kN/m

835 mm	4,7 kg
415 mm	2,4 kg
800 mm <small>sectionalized</small>	4,5 kg

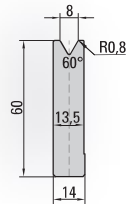
MORE INFORMATION WWW.LPTOOLING.CO.UK



22.608 **24h**
450 kN/m

835 mm	5,1 kg
415 mm	2,5 kg
800 mm <small>sectionalized</small>	4,9 kg

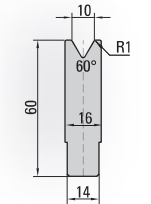
MORE INFORMATION WWW.LPTOOLING.CO.UK



22.610 **24h**
550 kN/m

835 mm	5,8 kg
415 mm	2,9 kg
800 mm <small>sectionalized</small>	5,5 kg

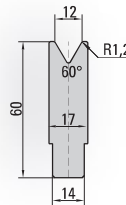
MORE INFORMATION WWW.LPTOOLING.CO.UK



22.612 **24h**
550 kN/m

835 mm	5,9 kg
415 mm	3,0 kg
800 mm <small>sectionalized</small>	5,7 kg

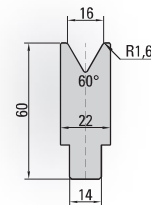
MORE INFORMATION WWW.LPTOOLING.CO.UK



22.616 **24h**
650 kN/m

835 mm	7,1 kg
415 mm	3,5 kg
800 mm <small>sectionalized</small>	6,8 kg

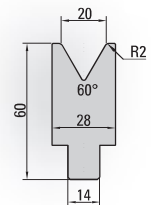
MORE INFORMATION WWW.LPTOOLING.CO.UK



22.620 **24h**
850 kN/m

835 mm	8,4 kg
415 mm	4,2 kg
800 mm <small>sectionalized</small>	8,1 kg

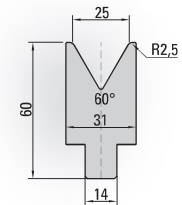
MORE INFORMATION WWW.LPTOOLING.CO.UK



22.625 **24h**
850 kN/m

835 mm	8,7 kg
415 mm	4,3 kg
800 mm <small>sectionalized</small>	8,3 kg

MORE INFORMATION WWW.LPTOOLING.CO.UK



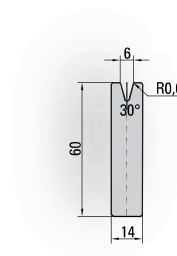
30° Centrical 1-V dies



22.306 **24h**
350 kN/m

835 mm	5,3 kg
415 mm	2,6 kg
800 mm	5,1 kg

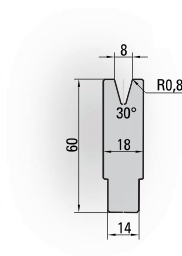
sectionalized
MORE INFORMATION WWW.LPTOOLING.CO.UK



22.308 **24h**
350 kN/m

835 mm	6,3 kg
415 mm	3,1 kg
800 mm	6,0 kg

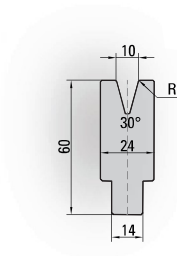
sectionalized
MORE INFORMATION WWW.LPTOOLING.CO.UK



22.310 **24h**
500 kN/m

835 mm	7,8 kg
415 mm	3,9 kg
800 mm	7,5 kg

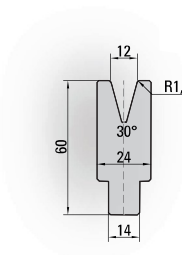
sectionalized
MORE INFORMATION WWW.LPTOOLING.CO.UK



22.312 **24h**
400 kN/m

835 mm	7,6 kg
415 mm	3,8 kg
800 mm	7,2 kg

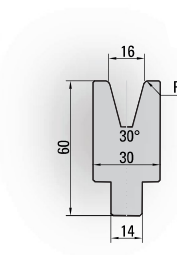
sectionalized
MORE INFORMATION WWW.LPTOOLING.CO.UK



22.316 **24h**
450 kN/m

835 mm	8,8 kg
415 mm	4,4 kg
800 mm	8,4 kg

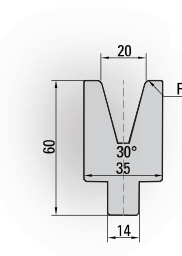
sectionalized
MORE INFORMATION WWW.LPTOOLING.CO.UK



22.320 **24h**
500 kN/m

835 mm	9,4 kg
415 mm	4,7 kg
800 mm	9,0 kg

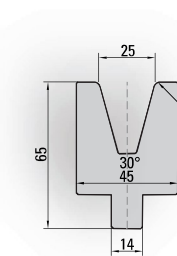
sectionalized
MORE INFORMATION WWW.LPTOOLING.CO.UK



22.325 **24h**
500 kN/m

835 mm	12,7 kg
415 mm	6,3 kg
800 mm	12,1 kg

sectionalized
MORE INFORMATION WWW.LPTOOLING.CO.UK



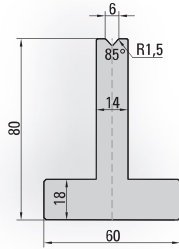
UKB-SYSTEM AMADA

85° T-dies H = 80 mm

20.506 **24h**
1000 kN/m

835 mm 12,7 kg
415 mm 6,3 kg
800 mm 12,1 kg
sectionalized

MORE INFORMATION WWW.LPTOOLING.CO.UK

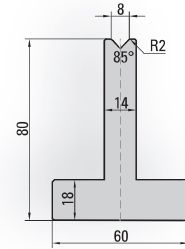


88° T-die 20.806 on request

20.508 **24h**
1000 kN/m

835 mm 12,6 kg
415 mm 6,3 kg
800 mm 12,1 kg
sectionalized

MORE INFORMATION WWW.LPTOOLING.CO.UK

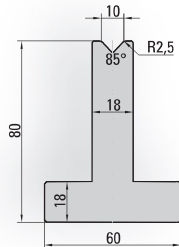


88° T-die 20.808 on request

20.510 **24h**
1000 kN/m

835 mm 14,2 kg
415 mm 7,1 kg
800 mm 13,6 kg
sectionalized

MORE INFORMATION WWW.LPTOOLING.CO.UK

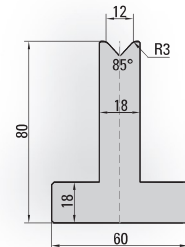


88° T-die 20.810 on request

20.512 **24h**
1000 kN/m

835 mm 14,1 kg
415 mm 7,0 kg
800 mm 13,5 kg
sectionalized

MORE INFORMATION WWW.LPTOOLING.CO.UK

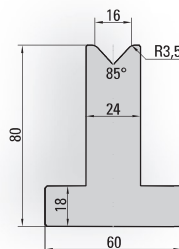


88° T-die 20.371 on request

20.516 **24h**
1000 kN/m

835 mm 16,3 kg
415 mm 8,1 kg
800 mm 15,7 kg
sectionalized

MORE INFORMATION WWW.LPTOOLING.CO.UK

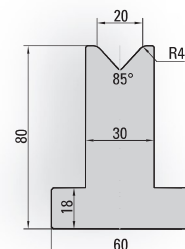


88° T-die 20.327 on request

20.520 **24h**
1000 kN/m

835 mm 18,5 kg
415 mm 9,2 kg
800 mm 17,7 kg
sectionalized

MORE INFORMATION WWW.LPTOOLING.CO.UK

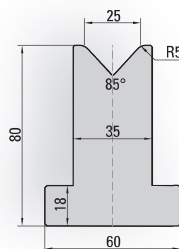


88° T-die 20.310 on request

20.525 **24h**
1000 kN/m

835 mm 20,1 kg
415 mm 10,0 kg
800 mm 19,3 kg
sectionalized

MORE INFORMATION WWW.LPTOOLING.CO.UK



88° T-die 20.309 on request

LPT-ONLINE CATALOG

Browse online or download!

A STRONG PARTNERSHIP



LPT
TOOLING

+

UKB

Stourbridge

Burbach

LPT Lawlor Press Brake Tooling Ltd . PO Box 7112 . DY8 9FL Stourbridge
Phone 01384 443 808 . Fax 01384 393 985 . E-Mail sales@lptooling.co.uk

WWW.LPTOOLING.CO.UK